

SURVEYOR'S CERTIFICATE

THIS MAP WAS PREPARED AT THE REQUEST OF CHRISTOPH J. ALTEMUELLER, BASED ON A SURVEY MADE BY ME ON THE 1 DAY OF DEC. 1983, AND IS TRUE AND COMPLETE AS SHOWN, THE MONUMENTS ARE OF THE REQUIRED CHARACTER AND OCCUPY THE POSITIONS INDICATED, AND ARE SUFFICIENT TO ENABLE THE SURVEY TO BE RETRACED.

Kenneth F. Barrow
KENNETH F. BARROW R.L.S. 2983



NOTE

THE PURPOSE OF THIS MAP IS TO ADJUST THE PROPERTY LINES OF PARCEL MAP DOCUMENT NO. 31408.

BASIS OF BEARING

B. L. M. RESURVEY

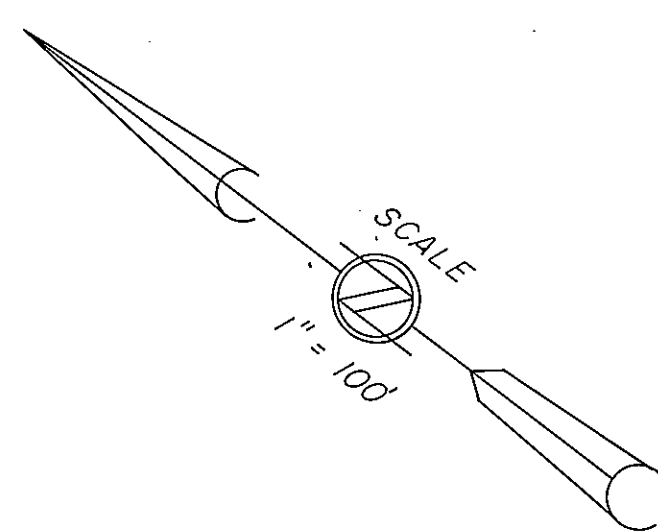
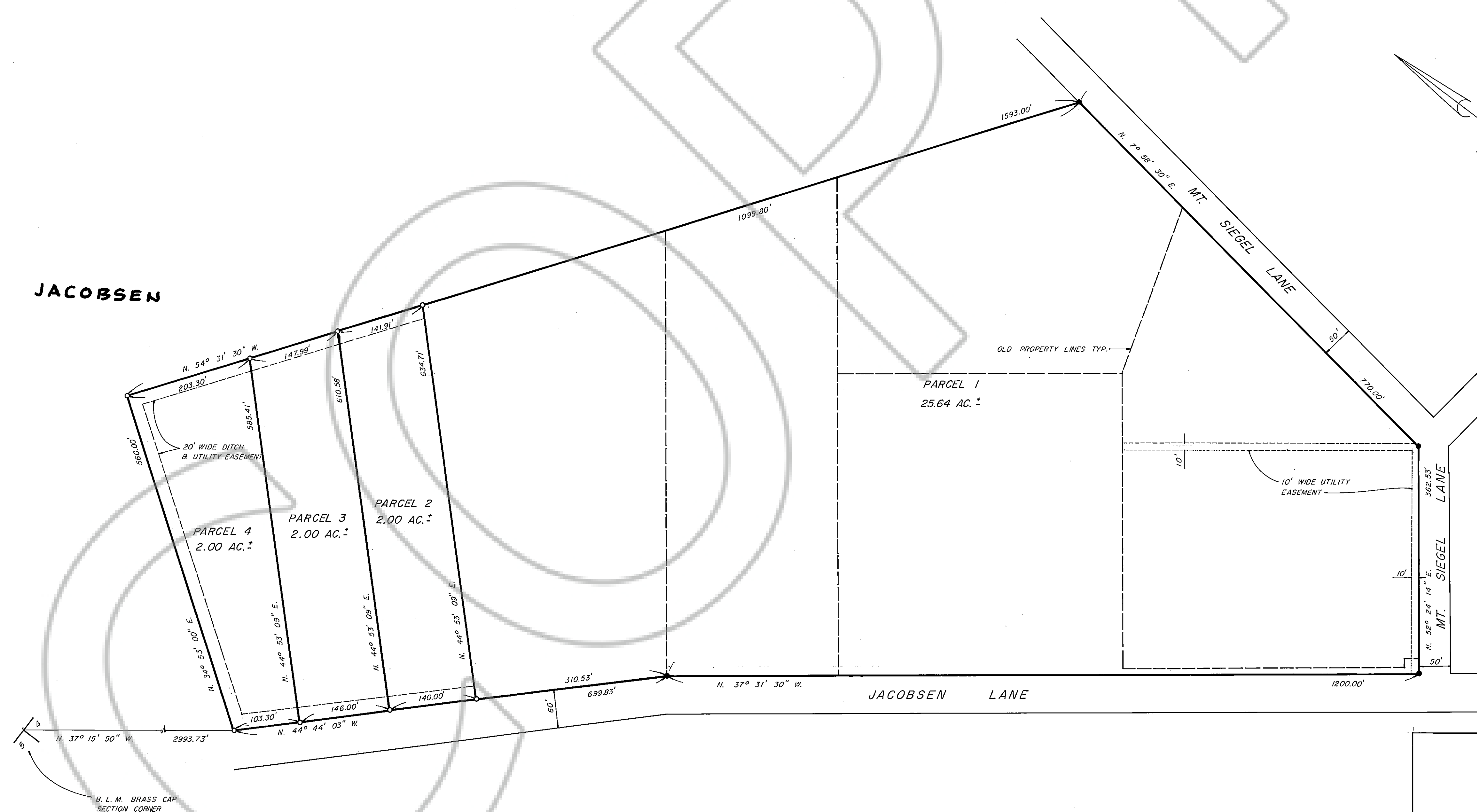
LEGEND

- MONUMENT FOUND (AS NOTED)
- SET 3/4" Ø IRON PIPE TAGGED R.L.S. 2983

RECORDER'S CERTIFICATE

FILED THIS 25th DAY OF JUNE 1984, AT 32 MINUTES PAST 2 O'CLOCK P.M., IN BOOK 684 OF PARCEL MAPS AT PAGE 2249, AT THE REQUEST OF Christoph Altemueller DOCUMENT NO. 102647

Betty Hendon, Deputy
COUNTY RECORDER



RECORD OF SURVEY
CHRISTOPH J. ALTEMUELLER
BEING A PORTION OF SECTION 4, T. 12 N., R. 21 E.,
M.D.B. & M.
DOUGLAS COUNTY NEVADA
KENNETH F. BARROW R.L.S. 2983
P.O. DRAWER 7000 INCLINE VILLAGE NEVADA
MAY 1984 SHEET 1 OF 1