

34-

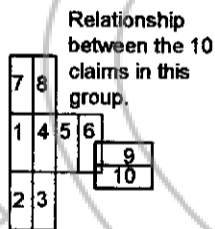
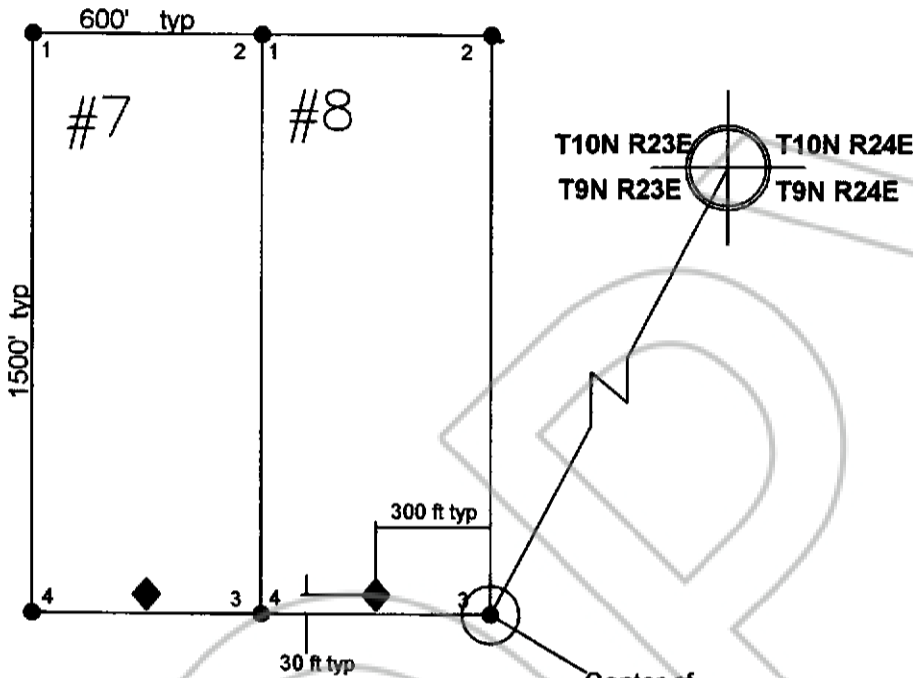
DOC # 0783686
05/24/2011 02:11 PM Deputy: SD

OFFICIAL RECORD

Requested By:
DANIEL BILL RECORD

Douglas County - NV
Karen Ellison - Recorder

Page: 1 Of 1 Fee: 34.00
BK-0511 PG- 4351 RPTT: 0.00



AMMENDED MAP
This map is an ammendment to the original filed maps to include missing data. Claims are in identical locations as shown on original filed maps.

Location Monument #7 is at UTM 291315, 4276528 (NAD 83)
 Location Monument #8 is at UTM 291495, 4276528
 Location Monument is 2 X 2 Wooden Post labeled Arrowhead #.....Loc. Mon.
 Corner Posts 2 X 2 wooden posts
 Data based on MyTopo Software and GPS readings on site.

◆ Location Monument 2x2 Wood ● Corner Post 2x2 Wood



1 in = 500 ft

Arrowhead 7 & 8

LODE MINING CLAIMS
S 27, T 9 N, R 23 E
NMC 1035618 & 19

Lode Claim Location Map
Douglas County, Nevada
Location Date: 30 November, 2010

Map Drawn By:
Daniel B. Record
5843 Co. Hwy. 18
West Edmeston, NY 13485