

ALL CLAIMS ARE 1500 FEET LONG BY 600 FEET WIDE UNLESS NOTED OTHERWISE

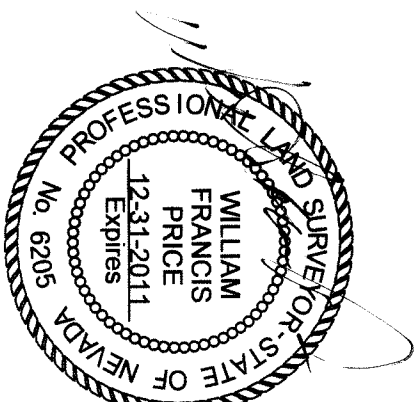
LOCATION MONUMENTS ARE SET ON THE CENTERLINE OF EACH CLAIM, 10 FEET FROM THE NEAR ENDLINE AND 1490 FEET FROM THE OPPOSITE ENDLINE UNLESS NOTED OTHERWISE

ALL MONUMENTS ARE 2"x2"x4" WOODEN POSTS

**SURVEYORS CERTIFICATE:**  
 I, WILLIAM FRANCIS PRICE, A PROFESSIONAL LAND SURVEYOR LICENSED IN THE STATE OF NEVADA CERTIFY THAT:

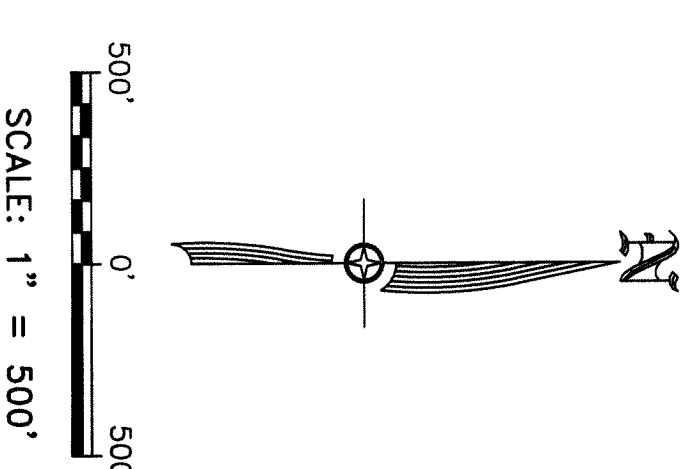
- 1) THIS SURVEY WAS CONDUCTED BY ME AT THE INSTANCE OF ALMADEN AMERICA INC.
- 2) THE MINING CLAIMS SURVEYED LIE WITHIN T13N R23E, MDM
- 3) THIS STATE COMPLES WITH APPLICABLE STATUTES OF COMPLETED AND THE SURVEY WAS CONDUCTED IN ACCORDANCE WITH CHAPTER 625 OF THE NEVADA ADMINISTRATIVE CODE.
- 4) THE SURVEY WAS COMPLETED ON SEPTEMBER 18, 2011.
- 5) THE MONUMENTS DEPICTED ON THIS PLATE ARE OF THE CHARACTER SHOWN AND OCCUPY THE POSITIONS INDICATED AND ARE OF SUFFICIENT NUMBER AND DURABILITY.

WILLIAM FRANCIS PRICE, NV PLUS 6205



DOC # 0794380  
 12/16/2011 10:36 AM Deputy: SN  
 OFFICIAL RECORD  
 ALMADEN MINERALS

Douglas County - NV  
 Karen Ellison - Recorder  
 Page: 1 of 1 Fee: \$345.00  
 BK-1211 Per: 345.00



Map  
 WILLOW

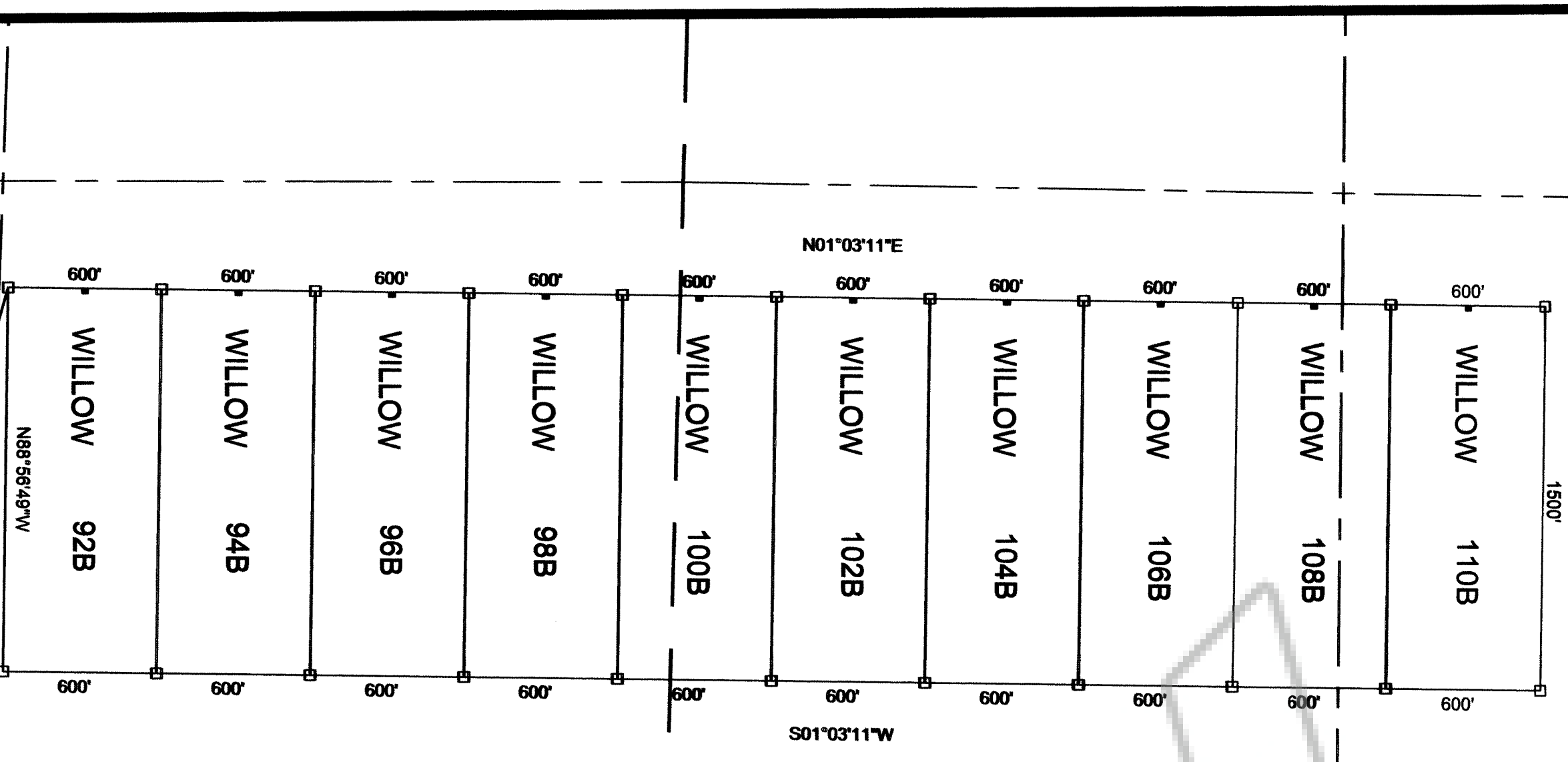
92B, 94B, 96B, 98B, 100B, 102B, 104B, 106B, 108B, 110B  
 LODGE MINING CLAIMS  
 SECTION(S) 10 and 15  
 T13N, R23E, MDM

DOUGLAS COUNTY, NEVADA  
 By ALMADEN AMERICA INC.

SHEET 1 OF 1 SHEET

**NOTES:**  
 1) SECTION LINES ON THIS MAP WERE DERIVED FROM US DEPARTMENT OF INTERIOR GEOGRAPHIC COORDINATE DATA BASE  
 2) BEARINGS ARE UTM GRID BEARINGS DETERMINED BY GPS OBSERVATIONS  
 3) DISTANCES ARE GROUND DISTANCES

**T13N R23E**



DOUGLAS COUNTY  
 LYON COUNTY

15 14  
 22 23

1011  
 1514

11 12  
 14 13

12 7  
 13 18

FOUND  
 SECTION CORNER  
 STONE MOUND

