

14-DC
8.50 dom
22.50

The following Document contains no Personal Information as defined by NRS 603A.040

Douglas County - NV
Karen Ellison - Recorder
Page: 1 Of 2 Fee: 22.50
BK-0412 PG-4993 RPTT: 0.00

CERTIFICATE OF LOCATION
PLACER MINING CLAIM (ASSOCIATION)



TO ALL WHOM IT MAY CONCERN:

The locator hereby certifies that he has caused to be located the R & D Placer Mining Claim in the following quarter sections(s):

1/4	Section	Township	Range	Meridian
E2 SESEW	26	12 N	22 E	MDBBM
W2 SWSW NE	26	12 N	22 E	MDBBM
W2 NWNW SE	26	12 N	22 E	MDBBM
E2 NENE SW	26	12 N	22 E	MDBBM

RECORDER'S STAMP

in Douglas County, Nevada, on the 19 day of April, 2012.

The Placer Claim is approximately 1500 feet in the south direction. Said Placer Claim contains 20 acres, more or less. The monument of location is located on the north boundary of the Claim, as follows: 2" Dowel, mounted on Tailings-Pile

The number, location and markings on each corner monument are as follows:

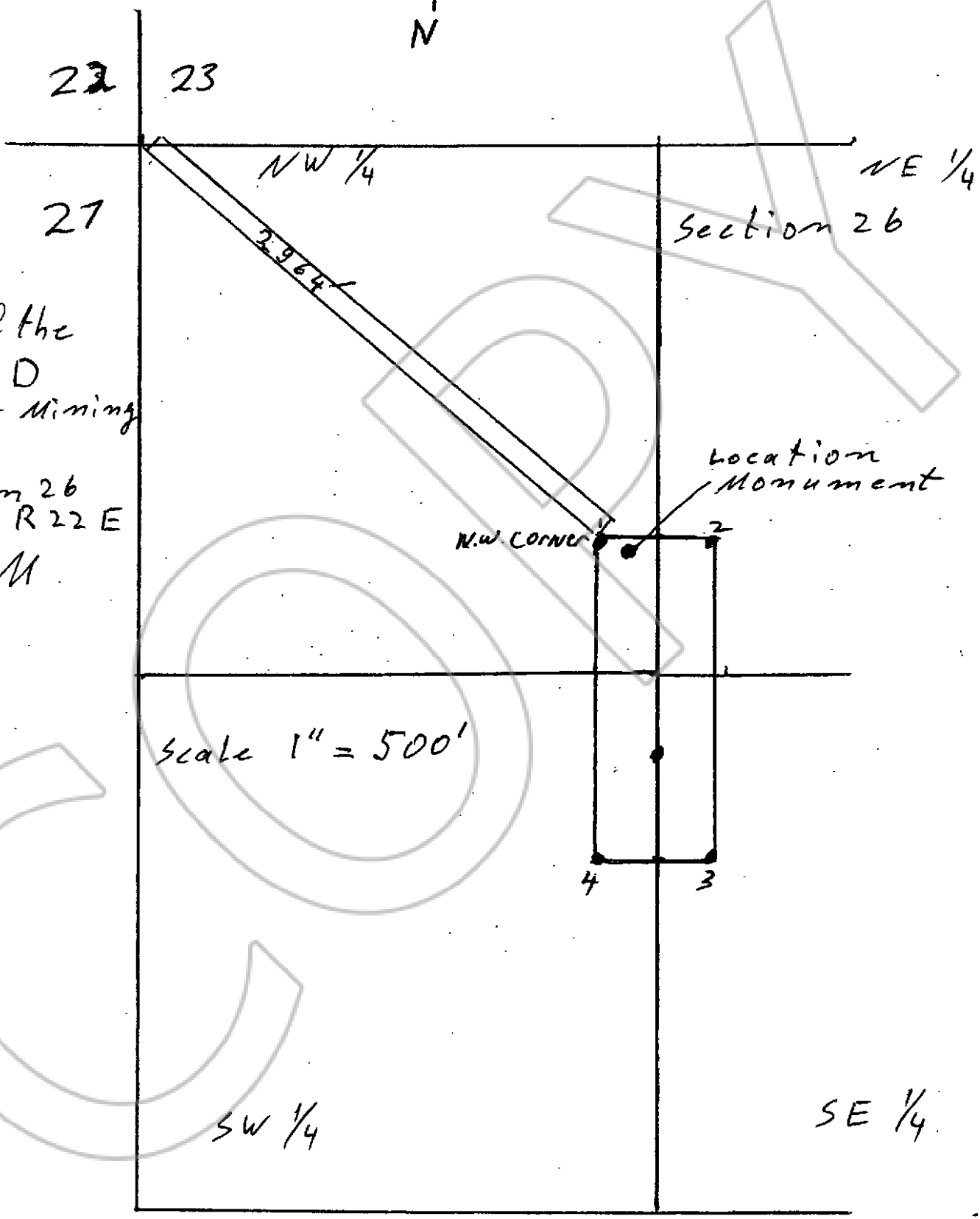
No.	Location	Markings	Description
No. 1:	<u>SW corner</u>	<u>Red 2x2</u>	
No. 2:	<u>SE corner</u>	<u>Red 2x2</u>	
No. 3:	<u>NE corner</u>	<u>Red 2x2</u>	
No. 4:	<u>NW corner</u>	<u>Red 2x2</u>	

As erected on the ground, each corner monument is marked as described above by Metal Tags (e.g. metal tags, paint on posts).

Dated this 19 day of April, 2012.

Owner, Claimant, or Agent

1	Signature	<u>[Signature]</u>
	Name (printed)	<u>Rolf Thiele</u>
	Address, City, ST Zip	<u>1500 Appaloosa Ct, Carson City, NV 89701</u>
2	Signature	<u>[Signature]</u>
	Name (printed)	<u>David Baldassare</u>
	Address, City, ST Zip	<u>1621 Koontz Lane CC NV 89701</u>



Map of the
R & D
Placer Mining
Claim,
Section 26
T 12 N R 22 E
MDB & M

Scale 1" = 500'